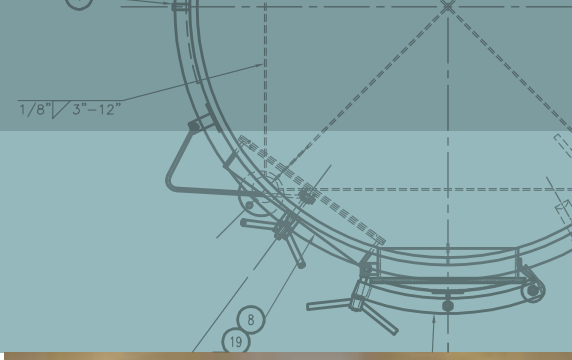


Conditioning Tank



Carbonate

Size	Price Ranges	Minimum Ceiling Height (ft.)	Space Required (sq. ft.)
10 BBL (310 Gal)	\$8,360 - \$10,340	9'	12 - 20
15 BBL (465 Gal)	\$9,790 - \$11,990	10'	18 - 28
20 BBL (620 Gal)	\$11,330 - \$13,750	11'	20 - 30
30 BBL (930 Gal)	\$12,540 - \$15,400	12'	25 - 36
40 BBL (1,240 Gal)	\$14,080 - \$17,270	13'	30 - 42
100 BBL (3,100 Gal)	\$24,200 - \$29,480	18'	49 - 64
200 BBL (6,200 Gal)	\$31,570 - \$38,610	22'	72 - 90

TANK CONFIGURATION

304 polished s/s
 ID Ground Smooth
 OD Buffed Finish
 Dished Bottom
 Dished Top
 16"x22" Inswing/Outswing Door
 Split RSW Jacketing
 Sprayball & Downtube
 Temperature Well
 1" Sample Valve
 1.5" Drain

TANK OPTIONS

Calibrated Sight Tube Assy
 w/ Valve \$975
 Pressure Relief Valve \$270
 6" Carb Stone
 w/ Check Valve \$425
 2" Butterfly Valve \$169
 1.5" Butterfly Valve \$141
 Sample Valve \$124
 Dial Thermometer \$56
 TC Clamp \$9
 TC Gasket, set of (2) \$1



200 BBL Bright Cider Tanks; photo courtesy of Schilling Cider